



LED Bulb 30W (E27)

Bematech LED Bulbs are made to replace traditional light bulbs such as incandescent and compact fluorescents.

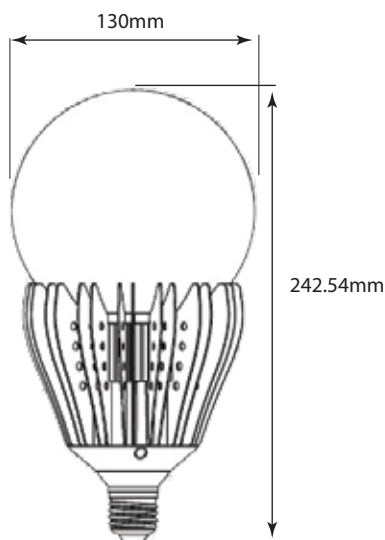
They are direct replacement for the E27 base bulbs and available in different colors. Our high color rendering provides superior quality of lights that is free of harmful UV and IR waves.

Specification summary:

Part No	BM-BL30W
Dimension (mm)	Ø130* 242.54mm
Rated Power	30W
LED Chip	SMD2835
Luminous Flux	>2550 lm
CRI	> 80
Efficiency	100/110 lm/W
Power Factor	>0.90
Input Voltage	AC240V/50-60HZ

*RF control and Color changing bulbs is available.

Dimensions:



Screw Edison E27

