



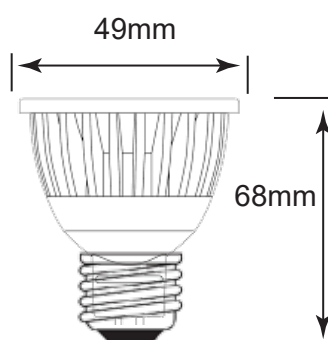
MR16 7W (e27)

This product has bright light with focus angle that comes into different degrees. They are best replacement for halogene and other incandescent lamps.

Specifiction summary:

Part No	BM-R16-7W/2.7
Base Type	E27
Input Voltage	AC/DC12 V
Power Factor	>0.90
Luminous Flux	650lm
CRI	>80
Color Temp	2800-6000 K
Beam Angle	28,35,45,70°
Size (mm)	ø49*H68

Dimensions:



Screw Edison E27

